

## 12 Volt - 24 Volt

These DC fans are equipped with dual NMB precision ball-bearings for long service life and long-lasting balance.  
Arbitrary mounting position.  
Air exhaust over struts.  
Rotation is clockwise (right) when viewed from the name plate.

Casing and impeller material is reinforced plastic according to UL 94 V-0

Protected against blocking and reverse polarity, auto restart

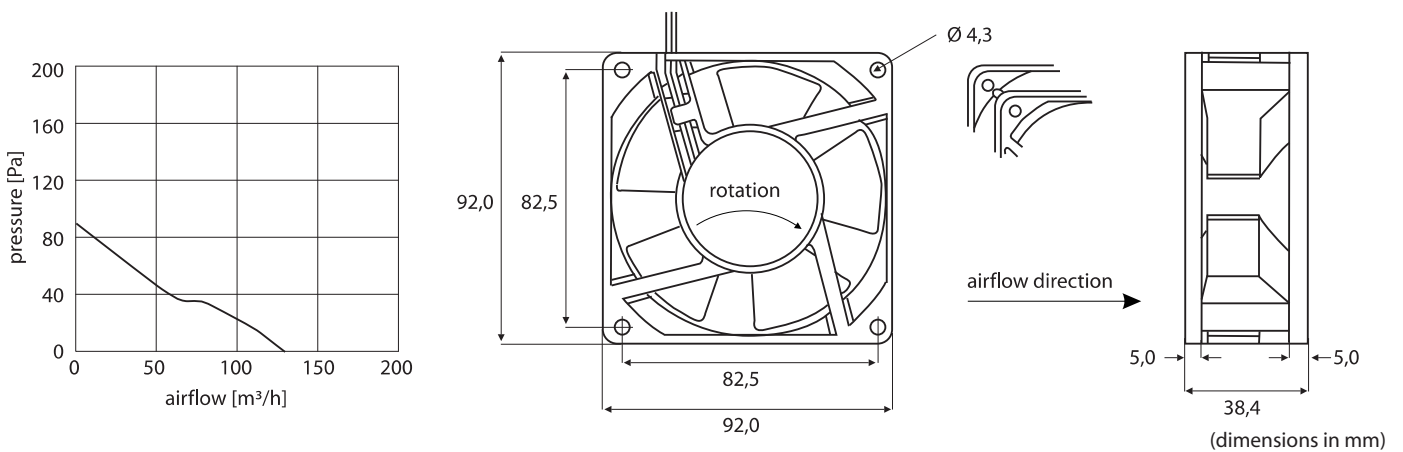
Connection via tinned and lead wires, UL 1007, AWG 24 (red/black), length 300 mm

Operating temperature range is -10 °C to +60 °C

Weight: 210g

Approvals: CE, CSA LR65829 1195298, UL E89936, VDE 15073-0008-0056

## DC fans 92 x 92 x 38 Manufacturer NMB



Type	voltage V	current mA	airflow m <sup>3</sup> /h	pressure Pa	speed rpm	noise dB <sub>(A)</sub>	service life h L <sub>10</sub> /25 °C
3615KL-04W-B50-P00	12 ( 7,0 - 12,6) *	460	129,6	89	4.000	47	120.000
3615KL-05W-B50-P00	24 (12,0 - 25,2) *	240	129,6	89	4.000	47	120.000

\* operating voltage