

12 Volt - 24 Volt

These DC fans are equipped with dual NMB precision ball-bearings for long service life and long-lasting balance.
 Arbitrary mounting position.
 Air exhaust over struts.
 Rotation is clockwise (right) when viewed from the name plate.

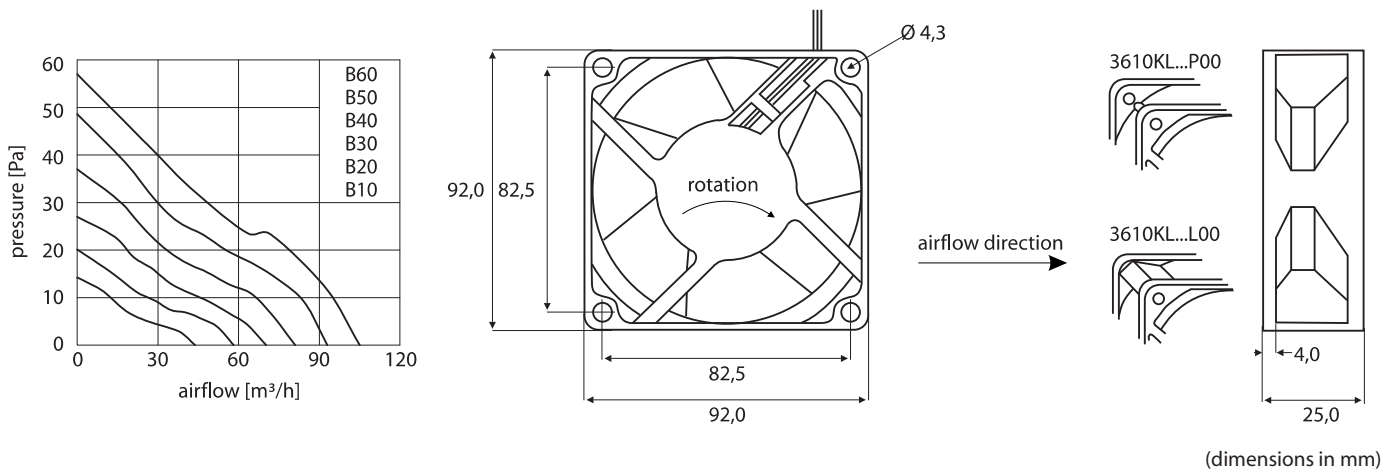
DC fans 92 x 92 x 25 Manufacturer NMB

- Casing and impeller material is reinforced plastic according to UL 94 V-0
- Protected against blocking and reverse polarity, auto restart
- Connection via tinned and lead wires, UL 1007, AWG 24 (red/black), length 300 mm
- Operating temperature range is: -10 °C to +70 °C / -10 °C to +60 °C (B60)
- Weight: 95 g
- Approvals: CE, CSA LR65829, UL E89936, VDE 1507300



Options with additional connection

- Tachometer signal - two pulses per rotation (e.g.: 3610KL-04W-B39-X50)
- Locked rotor signal - "HIGH"-signal and auto restart (e.g.: 3610KL-04W-B39-X00)



Type	voltage V	current mA	airflow m³/h	pressure Pa	speed rpm	noise dB _(A)	service life h L ₁₀ /25 °C
3610KL-04W-B40-D00	12 (6,0 - 13,8) *	220	81,0	37	2.850	37,5	70.000
3610KL-04W-B50-D00	12 (6,0 - 13,0) *	320	93,0	48	3.200	41,0	70.000
3610KL-05W-B30-D00	24 (10,0 - 27,6) *	90	69,0	27	2.450	34,0	70.000
3610KL-05W-B40-xxx	24 (10,0 - 27,6) *	120	81,0	37	2.850	37,5	70.000
3610KL-05W-B50-xxx	24 (10,0 - 25,0) *	160	93,0	48	3.200	41,0	70.000

Please complete: **D00** = with flange or **G00** = with reinforced ribs

* operating voltage