

12 Volt - 24 Volt

These DC fans are equipped with dual NMB precision ball-bearings for long service life and long-lasting balance.
 Arbitrary mounting position.
 Air exhaust over struts.
 Rotation is clockwise (right) when viewed from the name plate.

Casing and impeller material is reinforced plastic according to UL 94 V-0

Protected against blocking and reverse polarity, auto restart

Connection via tinned and lead wires, UL 1007, AWG 24 (red/black), length 300 mm

Operating temperature range is -10 °C to +70 °C / -10 °C to +60 °C (B70 + B80)

Weight: 95 g

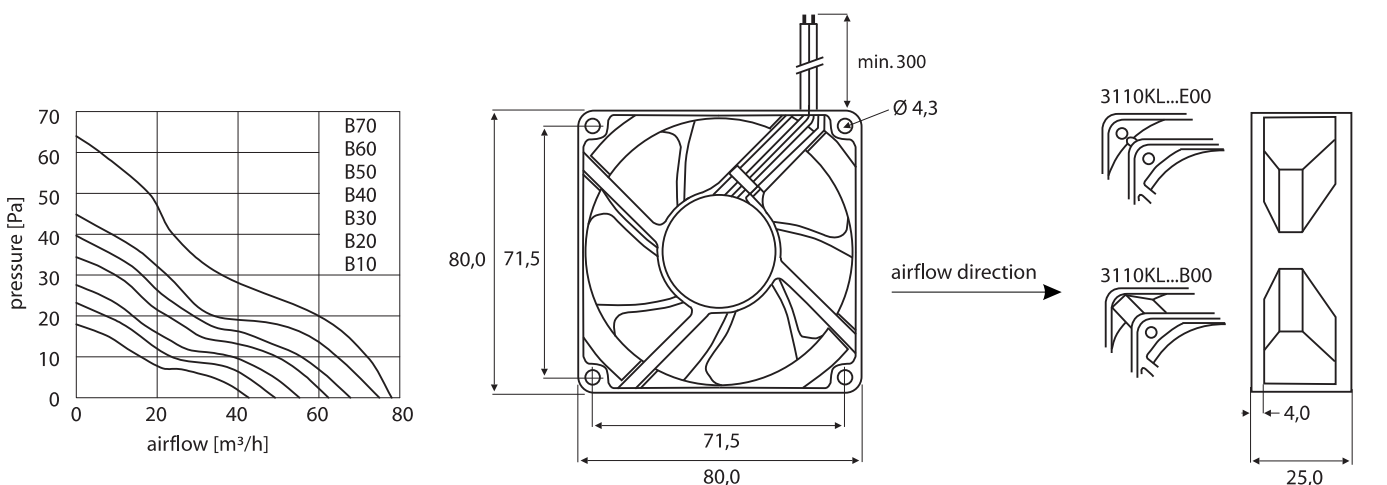
Approvals: CE, CSA LR65829, UL E89936, VDE 1507300

Options with additional connection

- Tachometer signal - two pulses per rotation (e.g.: 3110KL-04W-B19-E50)
- Locked rotor signal - "HIGH"-signal and auto restart (e.g.: 3110KL-04W-B19-E00)

Available on request

DC fans (long life) 80 x 80 x 25 Manufacturer NMB



(dimensions in mm)

Type	voltage V	current mA	airflow m ³ /h	pressure Pa	speed min ⁻¹	noise dB _(A)	service life h L ₁₀ /25 °C
3110KL-04W-B10-xxx	12 (6,0 - 13,8) *	100	42,0	16,7	2.150	22	100.000
3110KL-04W-B20-xxx	12 (6,0 - 13,8) *	110	48,0	21,6	2.400	25	100.000
3110KL-04W-B30-xxx	12 (6,0 - 13,8) *	170	54,0	26,5	2.700	28	100.000
3110KL-04W-B40-xxx	12 (6,0 - 13,8) *	200	60,0	32,3	3.000	31	100.000
3110KL-04W-B50-xxx	12 (6,0 - 13,8) *	230	66,0	37,2	3.250	34	100.000
3110KL-04W-B60-xxx	12 (6,0 - 13,0) *	260	68,4	40,2	3.400	35	100.000
3110KL-04W-B70-xxx	12 (6,0 - 13,8) *	290	78,0	64,4	4.000	40	100.000
3110KL-04W-B80-B00	12 (6,0 - 13,2) *	370	90,6	79,9	4.500	42	100.000
3110KL-05W-B10-xxx	24 (10,0 - 27,6) *	60	42,0	16,7	2.150	22	100.000
3110KL-05W-B20-xxx	24 (10,0 - 27,6) *	70	48,0	21,6	2.400	25	100.000
3110KL-05W-B30-xxx	24 (10,0 - 27,6) *	80	54,0	26,5	2.700	28	100.000
3110KL-05W-B40-xxx	24 (10,0 - 27,6) *	100	60,0	32,3	3.000	31	100.000
3110KL-05W-B50-xxx	24 (10,0 - 27,6) *	120	66,0	37,2	3.250	34	100.000
3110KL-05W-B60-xxx	24 (10,0 - 26,4) *	140	68,4	40,2	3.400	35	100.000
3110KL-05W-B70-xxx	24 (10,0 - 26,4) *	160	78,0	64,4	4.000	40	100.000

Please complete: **E00** = with flange or **B00** = with reinforced ribs

* operating voltage