

12 Volt - 24 Volt

These DC fans are equipped with dual NMB precision ball-bearings for long service life and long-lasting balance.
 Arbitrary mounting position.
 Air exhaust over struts.
 Rotation is counterclockwise (left) when viewed from the name plate.

DC fans 80 x 80 x 20 Manufacturer NMB

Casing with flange and impeller material is reinforced plastic according to UL 94 V-0

Protected against blocking and reverse polarity, auto restart

Connection via tinned and lead wires, UL 1007, AWG 24 (red/black), length 300 mm

Operating temperature range is -10 °C to +70 °C

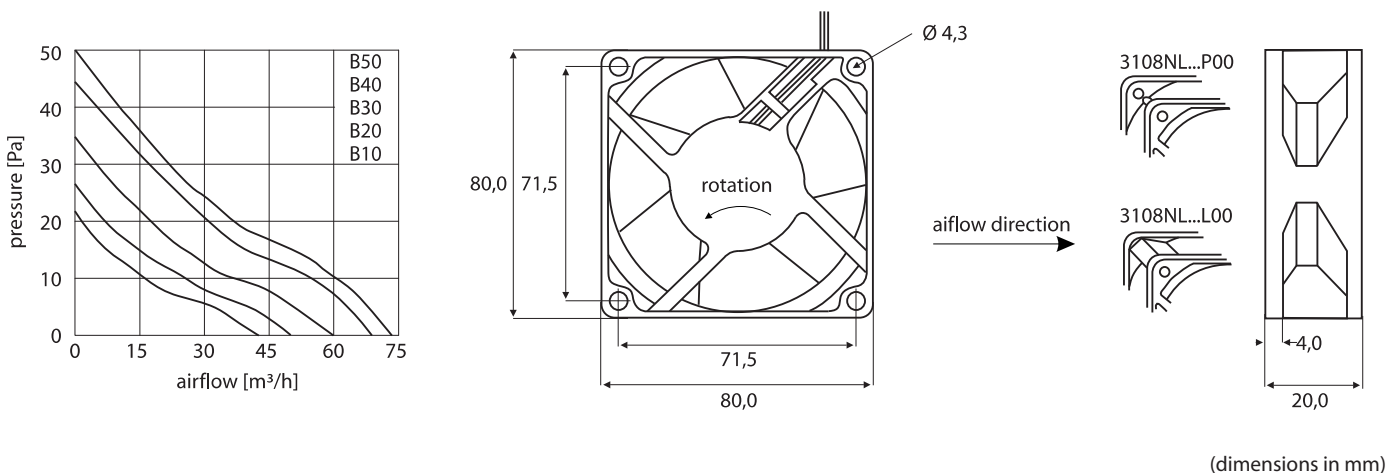
Weight: 85 g

Approvals: CE, CSA LR65829 1309625, UL E89936, VDE 1507300

Options with additional connection

- Tachometer signal - two pulses per rotation (e.g.: 3108NL-04W-B19-X50)
- Locked rotor signal - "HIGH"-signal and auto restart (e.g.: 3108NL-04W-B19-X00)

Available on request



Type	voltage V	current mA	airflow m ³ /h	pressure Pa	speed rpm	noise dB _(A)	service life h L ₁₀ /25 °C
3108NL-04W-B10-xxx	12 (6,0 - 13,8) *	90	45,0	21	2.350	26	110.000
3108NL-04W-B20-xxx	12 (6,0 - 13,8) *	110	50,4	26	2.600	29	110.000
3108NL-04W-B30-xxx	12 (6,0 - 13,8) *	140	58,8	34	2.950	33	110.000
3108NL-04W-B40-xxx	12 (6,0 - 13,8) *	200	69,0	44	3.350	39	110.000
3108NL-04W-B50-xxx	12 (6,0 - 13,8) *	280	75,0	50	3.750	42	110.000
3108NL-05W-B10-xxx	24 (15,0 - 27,6) *	50	45,0	21	2.350	26	110.000
3108NL-05W-B20-xxx	24 (15,0 - 27,6) *	60	50,4	26	2.600	29	110.000
3108NL-05W-B30-xxx	24 (15,0 - 27,6) *	70	58,8	34	2.950	33	110.000
3108NL-05W-B40-xxx	24 (15,0 - 27,6) *	110	69,0	44	3.350	39	110.000
3108NL-05W-B50-xxx	24 (15,0 - 27,6) *	150	75,0	50	3.750	42	110.000

Please complete: **P00** = with flange or **L00** = with reinforced ribs

* operating voltage