

12 Volt - 24 Volt

These DC fans are equipped with dual NMB precision ball-bearings for long service life and long-lasting balance.
 Arbitrary mounting position.
 Air exhaust over struts.
 Rotation is counterclockwise (left) when viewed from the name plate.

DC fans (long life) 60 x 60 x 25 Manufacturer NMB

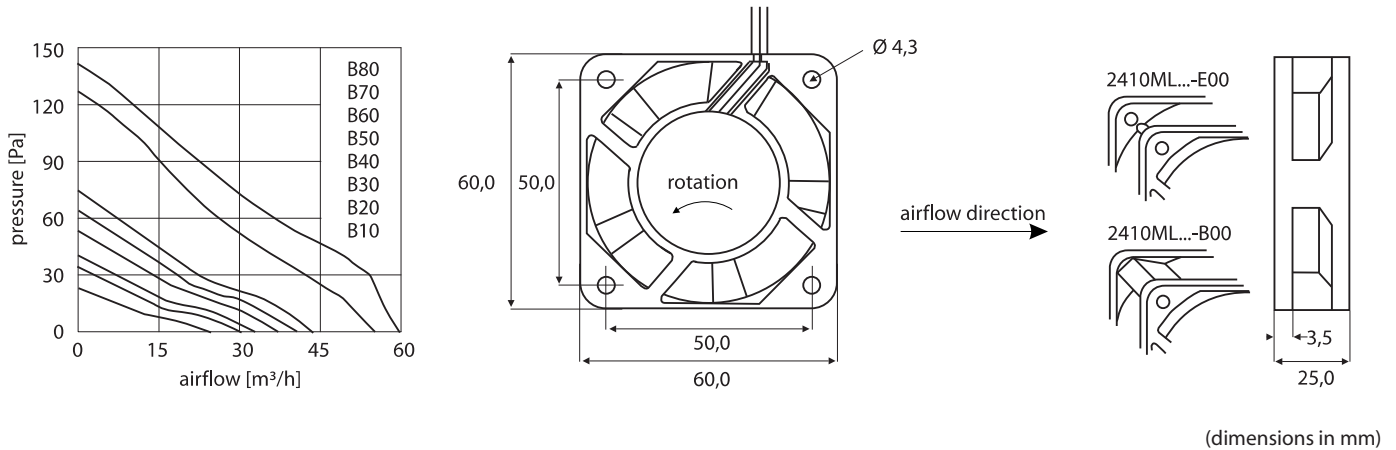
Casing and impeller material is reinforced plastic according to UL 94 V-0
 Protected against blocking and reverse polarity, auto restart
 Connection via tinned and lead wires, UL 1007, AWG 24 (red/black), length 300 mm
 Operating temperature range is -10 °C to +70 °C
 Weight: 65 g
 Approvals: CE, CSA LR65829 1193855, UL E89936, VDE 15073-0010



Options with additional connection

- Tachometer signal - two pulses per rotation (e.g.: 2410ML-04W-B19-X50)
- Locked rotor signal - "HIGH"-signal and auto restart (e.g.: 2410ML-04W-B19-X00)

Available on request



Type	voltage V	current mA	airflow m ³ /h	pressure Pa	speed rpm	noise dB _(A)	service life h L ₁₀ /25 °C
2410ML-04W-B10-B00	12 (6,0 - 13,8) *	80	23,4	21	2.950	23	195.000
2410ML-04W-B20-xxx	12 (6,0 - 13,8) *	120	28,8	32	3.600	28	195.000
2410ML-04W-B30-E00	12 (6,0 - 13,8) *	120	32,4	40	4.000	31	195.000
2410ML-04W-B40-xxx	12 (6,0 - 13,8) *	170	36,6	52	4.550	34	195.000
2410ML-04W-B50-xxx	12 (6,0 - 13,8) *	200	39,6	62	4.900	35	195.000
2410ML-04W-B60-xxx	12 (6,0 - 13,8) *	240	42,6	73	5.300	36	195.000
2410ML-04W-B70-xxx	12 (6,0 - 13,8) *	440	56,4	125	6.800	45	195.000
2410ML-04W-B80-xxx	12 (6,0 - 13,2) *	520	63,0	143	7.350	50	195.000
2410ML-05W-B10-xxx	24 (10,0 - 27,6) *	60	23,4	21	2.950	23	195.000
2410ML-05W-B20-E00	24 (10,0 - 27,6) *	70	28,8	32	3.600	28	195.000
2410ML-05W-B30-xxx	24 (10,0 - 27,6) *	60	32,4	40	4.000	31	195.000
2410ML-05W-B40-xxx	24 (10,0 - 27,6) *	90	36,6	52	4.550	34	195.000
2410ML-05W-B50-xxx	24 (10,0 - 27,6) *	100	39,6	62	4.900	35	195.000
2410ML-05W-B60-xxx	24 (10,0 - 27,6) *	130	42,6	73	5.300	36	195.000
2410ML-05W-B70-xxx	24 (10,0 - 25,2) *	190	56,4	125	6.800	45	195.000
2410ML-05W-B80-xxx	24 (10,0 - 26,4) *	260	63,0	143	7.350	50	195.000

Please complete: **E00** = with flange or **B00** = with reinforced ribs
 * operating voltage