

## 12 Volt - 24 Volt

These DC fans are equipped with dual NMB precision ball-bearings for long service life and long-lasting balance.  
 Arbitrary mounting position.  
 Air exhaust over struts.  
 Rotation is counterclockwise (left) when viewed from the name plate.

## DC fans 60 x 60 x 20 Manufacturer NMB

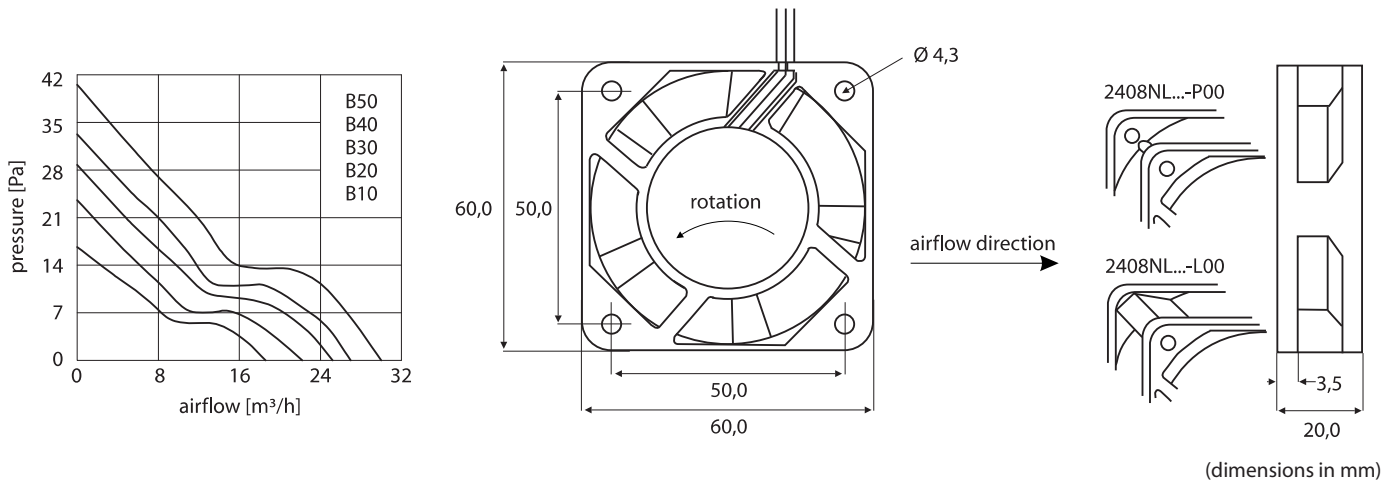
Casing and impeller material is reinforced plastic according to UL 94 V-0  
 Protected against blocking and reverse polarity, auto restart  
 Connection via tinned and lead wires, UL 1007, AWG 24 (red/black), length 300 mm  
 Operating temperature range is -10 °C to +70 °C  
 Weight: 85 g  
 Approvals: CE, CSA LR65829 1309625, UL E89936, VDE 15073-0013



### Options with additional connection

- Tachometer signal - two pulses per rotation (e.g.: 2408NL-04W-B19-X50)
- Locked rotor signal - "HIGH"-signal and auto restart (e.g.: 2408NL-04W-B19-X00)

Available on request



Type	voltage V	current mA	airflow m <sup>3</sup> /h	pressure Pa	speed rpm	noise dB <sub>(A)</sub>	service life h L <sub>10</sub> /25 °C
2408NL-04W-B10-xxx	12 ( 6,0 - 13,8) *	50	18,6	17	2.800	23	110.000
2408NL-04W-B20-xxx	12 ( 6,0 - 13,8) *	70	22,2	24	3.200	26	110.000
2408NL-04W-B30-xxx	12 ( 6,0 - 13,8) *	80	25,2	29	3.600	27	110.000
2408NL-04W-B40-xxx	12 ( 6,0 - 13,8) *	90	27,0	33	4.000	29	110.000
2408NL-04W-B50-xxx	12 ( 6,0 - 13,8) *	110	30,0	41	4.400	32	110.000
2408NL-05W-B10-xxx	24 (15,0 - 27,6) *	40	18,6	17	2.800	23	110.000
2408NL-05W-B20-xxx	24 (15,0 - 27,6) *	40	22,2	24	3.200	26	110.000
2408NL-05W-B30-xxx	24 (15,0 - 27,6) *	45	25,2	29	3.600	27	110.000
2408NL-05W-B40-xxx	24 (15,0 - 27,6) *	50	27,0	33	4.000	29	110.000
2408NL-05W-B50-xxx	24 (15,0 - 27,6) *	55	30,0	41	4.400	32	110.000

Please complete: **P00** = with flange or **L00** = with reinforced ribs

\* operating voltage