

## 12 Volt - 24 Volt

These DC fans are equipped with dual NMB precision ball-bearings for long service life and long-lasting balance.  
 Arbitrary mounting position.  
 Air exhaust over struts.  
 Rotation is clockwise (right) when viewed from the name plate.

Casing and impeller material is reinforced plastic according to UL 94 V-0

Protected against blocking and reverse polarity, auto restart

Connection via tinned and lead wires, UL 1007, AWG 26 (red/black), length 200 mm

Operating temperature range is -10 °C to +60 °C

Weight: 45 g

Approvals: CE, CSA LR65829 1437705, UL E89936, VDE 15073-0020

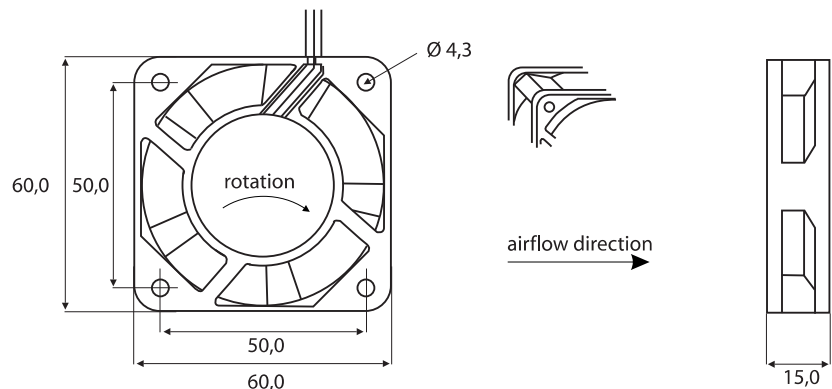
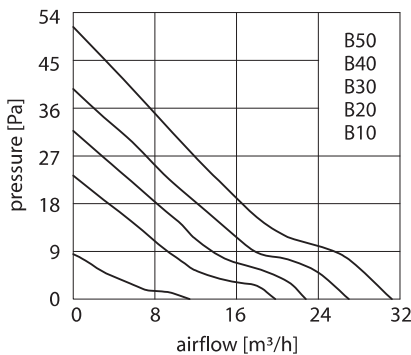
### Options with additional connection:

- tachometer signal - two pulses per rotation (e.g.: 2406KL-04W-B19-L50)
- locked rotor signal - "HIGH"-signal and auto restart (e.g.: 2406KL-04W-B19-L00)

Available on request:

- temperature controlled with external NTC (e.g.: 2406KL-04W-B17-L60)
- temperature controlled with internal NTC (e.g.: 2406KL-04W-B17-LS0)
- IP 54 model

## DC fans 60 x 60 x 15 Manufacturer NMB



(dimensions in mm)

Type	voltage V	current mA	airflow m <sup>3</sup> /h	pressure Pa	speed rpm	noise dB <sub>(A)</sub>	service life h L <sub>10</sub> /25 °C
2406KL-04W-B10-L00	12 ( 7,0 - 13,8) *	40	11,4	9	1.800	19	70.000
2406KL-04W-B20-L00	12 ( 6,0 - 13,8) *	70	19,8	23	3.100	25	70.000
2406KL-04W-B30-L00	12 ( 6,0 - 13,8) *	90	24,0	31	3.600	28	70.000
2406KL-04W-B40-L00	12 ( 6,0 - 13,8) *	130	27,0	40	4.100	31	70.000
2406KL-04W-B50-L00	12 ( 6,0 - 13,8) *	160	31,2	51	4.600	34	70.000
2406KL-05W-B10-L00	24 (18,5 - 27,6) *	40	11,4	9	1.800	19	70.000
2406KL-05W-B20-L00	24 (12,0 - 27,6) *	60	19,8	23	3.100	25	70.000
2406KL-05W-B30-L00	24 (12,0 - 27,6) *	60	24,0	31	3.600	28	70.000
2406KL-05W-B40-L00	24 (10,0 - 27,6) *	70	27,0	40	4.100	31	70.000
2406KL-05W-B50-L00	24 (10,0 - 27,6) *	100	31,2	51	4.600	34	70.000

\* operating voltage