

## 5 Volt - 12 Volt

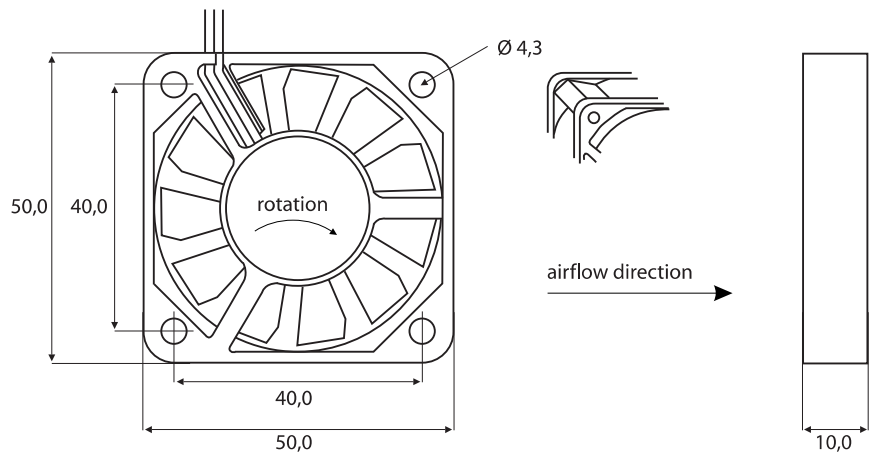
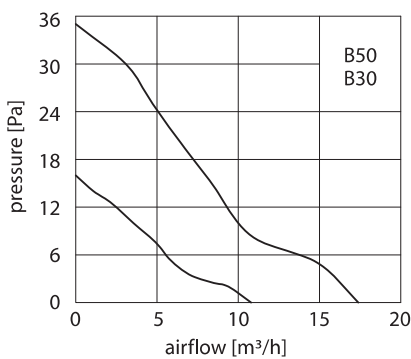
These DC fans are equipped with dual NMB precision ball-bearings for long service life and long-lasting balance.  
 Arbitrary mounting position.  
 Air exhaust over struts.  
 Rotation is clockwise (right) when viewed from the name plate.

Casing and impeller material is reinforced plastic according to UL 94 V-0  
 Protected against blocking and reverse polarity, auto restart  
 Connection via tinned and lead wires, UL 1061, AWG 26 (red/black), length 200 mm  
 Operating temperature range is -10 °C to +70 °C  
 Weight: 20 g  
 Approvals: CE, CSA LR65829 1144468, UL E89936, VDE 15073-0017

### Options with additional connection

- Tachometer signal - two pulses per rotation (e.g.: 2004KL-01W-B59-B50)
- Locked rotor signal - "HIGH"-signal and auto restart (e.g.: 2004KL-01W-B59-B00)

## DC fans 50 x 50 x 10 Manufacturer NMB



(dimensions in mm)

Type	voltage V	current mA	airflow m³/h	pressure Pa	speed rpm	noise dB <sub>(A)</sub>	service life h L <sub>10</sub> /25 °C
2004KL-01W-B50-B00	5 ( 4,5 - 6,0) *	300	17,4	35	5.500	34	110.000
2004KL-04W-B30-B00	12 (10,2 - 13,8) *	40	10,8	16	3.500	23	110.000

\* operating voltage