

5 Volt - 12 Volt - 24 Volt

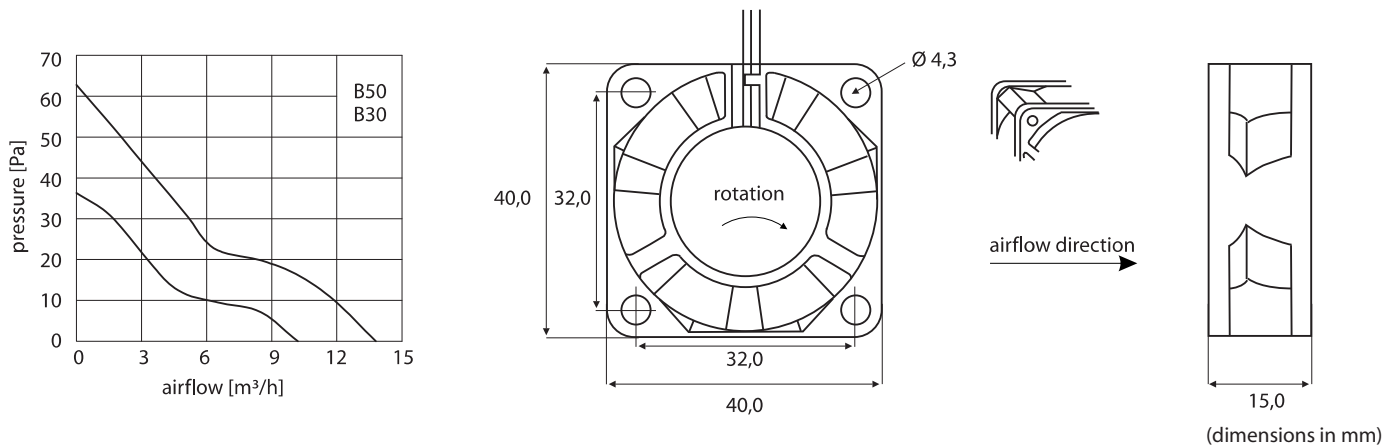
These DC fans are equipped with dual NMB precision ball-bearings for long service life and long-lasting balance.
Arbitrary mounting position.
Air exhaust over struts.
Rotation is clockwise (right) when viewed from the name plate.

Casing and impeller material is reinforced plastic according to UL 94 V-0
Protected against blocking and reverse polarity, auto restart
Connection via tinned and lead wires, UL 1061, AWG 26 (red/black), length 200 mm
Operating temperature range is -10 °C to +70 °C
Weight: 20 g
Approvals: CE, CSA LR65829 1255295, UL E89936, VDE 1507300

Options with additional connection

- Tachometer signal - two pulses per rotation (e.g.: 1606KL-01W-B59-L50)
Locked rotor signal - "HIGH"-signal and auto restart (e.g.: 1606KL-01W-B59-L00)

DC fans 40 x 40 x 15 Manufacturer NMB



Type	voltage V	current mA	airflow m ³ /h	pressure Pa	speed rpm	noise dB _(A)	service life h L ₁₀ /25 °C
1606KL-01W-B50-L00	5 (4,5 - 5,5) *	240	13,8	63	8.000	34	77.000
1606KL-04W-B30-L00	12 (10,2 - 13,8) *	67	10,2	36	6.000	28	77.000
1606KL-04W-B50-L00	12 (10,2 - 13,8) *	85	13,8	63	8.000	34	77.000
1606KL-05W-B30-L00	24 (22,0 - 25,2) *	45	10,2	36	6.000	28	77.000
1606KL-05W-B50-L00	24 (22,0 - 25,2) *	62	13,8	63	8.000	34	77.000

* operating voltage