

## 5 Volt - 12 Volt - 24 Volt

These DC fans are equipped with dual NMB precision ball-bearings for long service life and long-lasting balance.  
 Arbitrary mounting position.  
 Air exhaust over struts.  
 Rotation is clockwise (right) when viewed from the name plate.

## DC fans 40 x 40 x 10 Manufacturer NMB

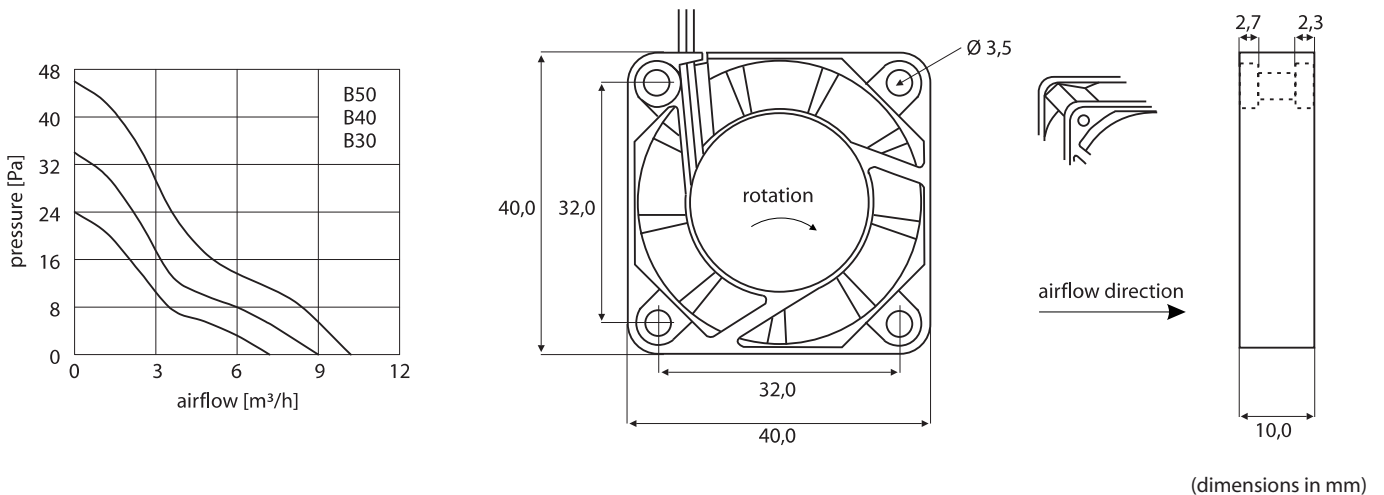
- Casing and impeller material is reinforced plastic according to UL 94 V-0
- Protected against blocking and reverse polarity, auto restart
- Connection via tinned and lead wires, UL 1061, AWG 26 (red/black), length 200 mm
- Operating temperature range is -10 °C to +70 °C
- Weight: 15 g
- Approvals: CE, CSA LR65829 1141408, UL E89936, VDE 15073-0008



### Options with additional connection

- Tachometer signal - two pulses per rotation (e.g.: 1604KL-01W-B39-B50)
- Locked rotor signal - "HIGH"-signal and auto restart (e.g.: 1604KL-01W-B39-B00)

Available on request



Type	voltage V	current mA	airflow m <sup>3</sup> /h	pressure Pa	speed rpm	noise dB <sub>(A)</sub>	service life h L <sub>10</sub> /25 °C
1604KL-01W-B30-B00	5 ( 4,5 - 5,5) *	75	7,2	24	4.500	22	60.000
1604KL-01W-B40-B00	5 ( 4,5 - 5,5) *	120	9,0	34	5.500	25	60.000
1604KL-01W-B50-B00	5 ( 4,5 - 5,5) *	155	10,2	46	6.500	29	60.000
1604KL-04W-B30-B00	12 (10,2 - 13,8) *	62	7,2	24	4.500	22	60.000
1604KL-04W-B40-B00	12 (10,2 - 13,8) *	73	9,0	34	5.500	25	60.000
1604KL-04W-B50-B00	12 (10,2 - 13,8) *	73	10,2	46	6.500	29	60.000
1604KL-05W-B30-B00	24 (20,0 - 26,4) *	20	7,2	24	4.500	22	60.000

\* operating voltage