

5 Volt - 12 Volt

These DC fans are equipped with dual NMB precision ball-bearings for long service life and long-lasting balance.
 Arbitrary mounting position.
 Air exhaust over struts.
 Rotation is clockwise (right) when viewed from the name plate.

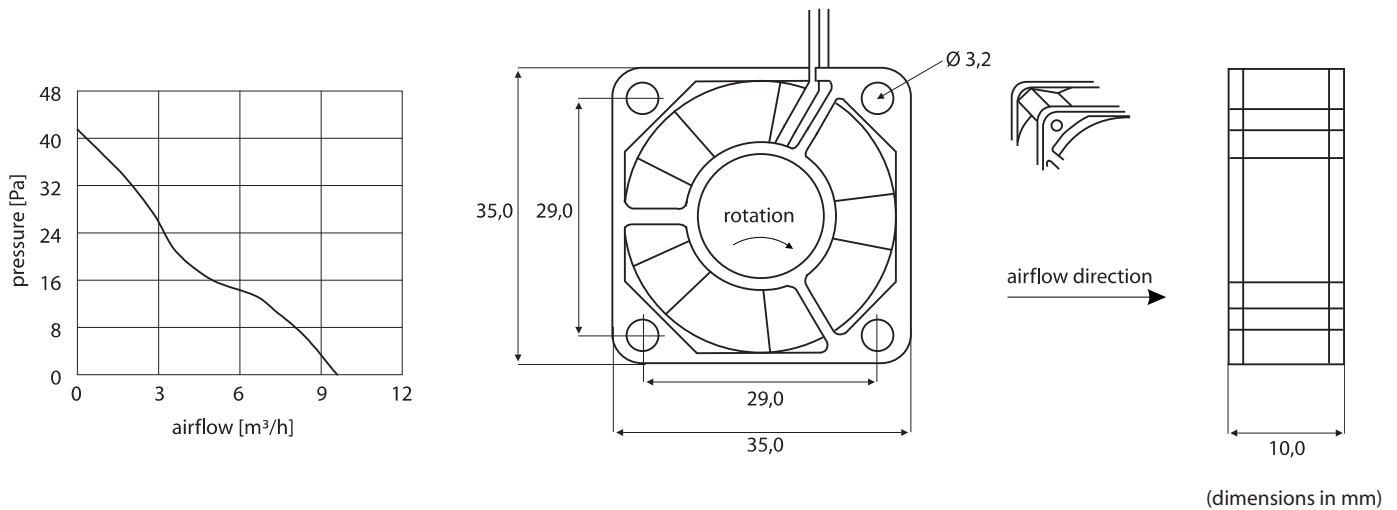
DC fans 35 x 35 x 10 Manufacturer NMB

Casing and impeller material is reinforced plastic according to UL 94 V-0
 Protected against blocking and reverse polarity, auto restart
 Connection via tinned and lead wires, UL 1061, AWG 26 (red/black), length 200 mm
 Operating temperature range is -10 °C to +70 °C
 Weight: 12 g
 Approvals: CE, CSA LR65829 1065707, UL E89936, VDE 15073-0032



Options with additional connection

- Tachometer signal - two pulses per rotation (e.g.: 1404KL-01W-B59-B50)



Type	voltage V	current mA	airflow m ³ /h	pressure Pa	speed rpm	noise dB _(A)	service life h L ₁₀ /25 °C
1404KL-01W-B50-B00	5 (4,5 - 5,5) *	210	9,6	41	9.000	27	55.000
1404KL-04W-B50-B00	12 (8,0 - 13,8) *	80	9,6	41	9.000	27	55.000

* operating voltage