

5 Volt - 12 Volt

These DC fans are equipped with dual NMB precision ball-bearings for long service life and long-lasting balance.
Arbitrary mounting position.
Air exhaust over struts.
Rotation is clockwise (right) when viewed from the name plate.

Casing and impeller material is reinforced plastic according to UL 94 V-0

Protected against blocking and reverse polarity, auto restart

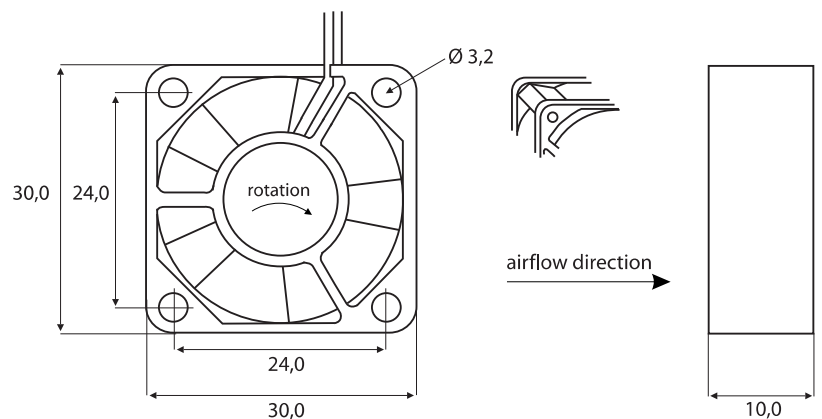
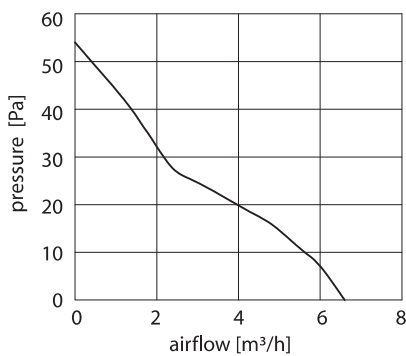
Connection via tinned and lead wires, UL 1061, AWG 26 (red/black), length 200 mm

Operating temperature range is -10 °C to +70 °C

Weight: 8,5 g

Approvals: CE, CSA LR65829 1223044, UL E89936, VDE 1507300

DC fans 30 x 30 x 10 Manufacturer NMB



(dimensions in mm)

Type	voltage V	current mA	airflow m ³ /h	pressure Pa	speed rpm	noise dB _(A)	service life h L ₁₀ /25 °C
1204KL-01W-B50-R00	5 (4,5 - 5,5) *	180	6,6	54	10.500	27	55.000
1204KL-04W-B50-B00	12 (6,0 - 13,8) *	80	6,6	54	10.500	27	55.000

* operating voltage