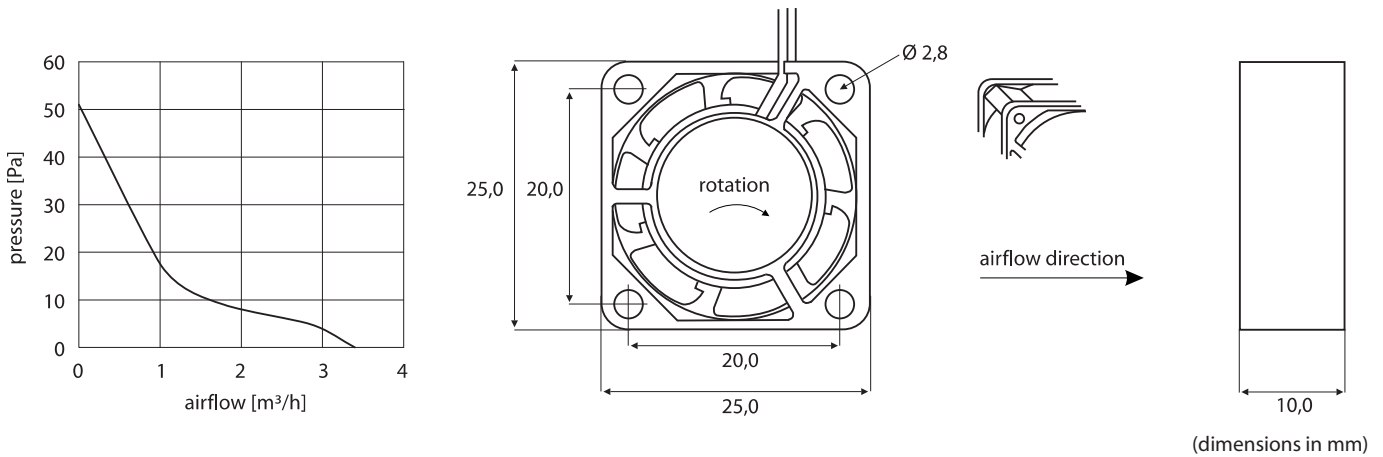


## 5 Volt - 12 Volt

These DC fans are equipped with dual NMB precision ball-bearings for long service life and long-lasting balance.  
Arbitrary mounting position.  
Air exhaust over struts.  
Rotation is clockwise (right) when viewed from the name plate.

Casing and impeller material is reinforced plastic according to UL 94 V-0  
Protected against blocking and reverse polarity, auto restart  
Connection via tinned and lead wires, UL 1061, AWG 26 (red/black), length 200 mm  
Operating temperature range is -10 °C to +60 °C  
Weight: 7,5 g  
Approvals: CE, CSA LR65829 1087445, UL E89936, VDE 15073-0023

## DC fans 25 x 25 x 10 Manufacturer NMB



Type	voltage V	current mA	airflow m <sup>3</sup> /h	pressure Pa	speed rpm	noise dB <sub>(A)</sub>	service life h L <sub>10</sub> /25 °C
1004KL-01W-B50-L00	5 (4,5 - 5,5) *	125	3,4	51	11.000	25	55.000
1004KL-04W-B50-B00	12 (86,0 - 13,8) *	60	3,4	51	11.000	25	55.000

\* operating voltage