

12 Volt - 24 Volt - 48 Volt

These DC fans are equipped with dual NMB precision ball-bearings for long service life and long-lasting balance.
 Arbitrary mounting position. Air exhaust over struts.
 Rotation is counterclockwise (left) when viewed from the name plate.

DC fans 172 x 50 Manufacturer NMB

Casing material is aluminium, impeller made from reinforced plastic according to UL 94 V-0

Protected against blocking and reverse polarity, auto restart

Connection via tinned and lead wires, UL 1007, AWG 22 (red/black), length 300 mm
 Faston connectors (2,8mm x 0,5 mm) available on request

Operating temperature range is -10 °C to +70 °C

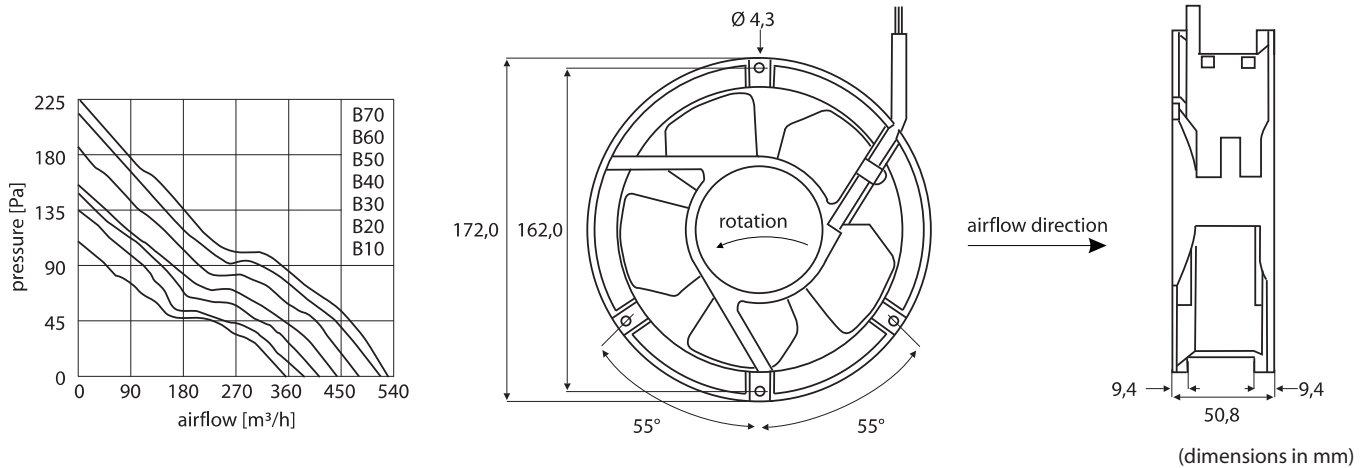
Weight: 830 g

Approvals: CE, CSA LR65829 1285831, UL E89936, VDE 15073-0044

Options with additional connection

- Tachometer signal - two pulses per rotation (e.g.: 6820PL-04W-B19-D50)
- Locked rotor signal - "HIGH"-signal and auto restart (e.g.: 6820PL-04W-B19-D00)

Available on request



Type	voltage V	current mA	airflow m ³ /h	pressure Pa	speed rpm	noise dB _(A)	service life h L ₁₀ /25 °C
6820PL-04W-B10-D00	12 (6,0 - 18,0) *	800	306,0	93	2.550	50	190.000
6820PL-04W-B20-D00	12 (6,0 - 18,0) *	1.000	339,6	118	2.850	53	190.000
6820PL-04W-B30-D00	12 (6,0 - 18,0) *	1.150	382,2	140	3.150	55	190.000
6820PL-04W-B40-D00	12 (6,0 - 18,0) *	1.440	408,0	155	3.350	58	190.000
6820PL-04W-B50-D00 **	12 (6,0 - 18,0) *	1.600	441,6	183	3.500	60	190.000
6820PL-05W-B10-D00	24 (12,0 - 30,0) *	360	306,0	93	2.550	50	190.000
6820PL-05W-B20-D00	24 (12,0 - 30,0) *	460	339,6	118	2.850	53	190.000
6820PL-05W-B30-D00	24 (12,0 - 30,0) *	550	382,2	140	3.150	55	190.000
6820PL-05W-B40-D00	24 (12,0 - 30,0) *	660	408,0	155	3.350	58	190.000
6820PL-05W-B50-D00 **	24 (12,0 - 30,0) *	790	441,6	183	3.500	60	190.000
6820PL-05W-B60-D00	24 (12,0 - 30,0) *	880	475,8	211	3.750	63	190.000
6820PL-05W-B70-D00 **	24 (12,0 - 30,0) *	1.080	510,0	227	4.000	63	190.000
6820PL-07W-B10-D00	48 (25,0 - 60,0) *	180	306,0	93	2.550	50	190.000
6820PL-07W-B20-D00	48 (25,0 - 60,0) *	230	339,6	118	2.850	53	190.000
6820PL-07W-B30-D00	48 (25,0 - 60,0) *	270	382,2	140	3.150	55	190.000
6820PL-07W-B40-D00	48 (25,0 - 60,0) *	330	408,0	155	3.350	58	190.000
6820PL-07W-B50-D00	48 (25,0 - 60,0) *	400	441,6	183	3.500	60	190.000
6820PL-07W-B60-D00	48 (25,0 - 60,0) *	470	475,8	211	3.750	63	190.000
6820PL-07W-B70-D00	48 (25,0 - 60,0) *	510	510,0	227	4.000	63	190.000

* operating voltage ** available on request