

12 Volt - 24 Volt - 48 Volt

These DC fans are equipped with dual NMB precision ball-bearings for long service life and long-lasting balance.
Arbitrary mounting position. Air exhaust over struts.
Rotation is counterclockwise (left) when viewed from the name plate.

Casing material is aluminium, impeller made from reinforced plastic according to UL 94 V-0

Protected against blocking and reverse polarity, auto restart

Connection via tinned and lead wires, UL 1007, AWG 22 (red/black), length 300 mm
Faston connectors (2,8mm x 0,5 mm) available on request

Operating temperature range is -10 °C to +70 °C

Weight: 830 g

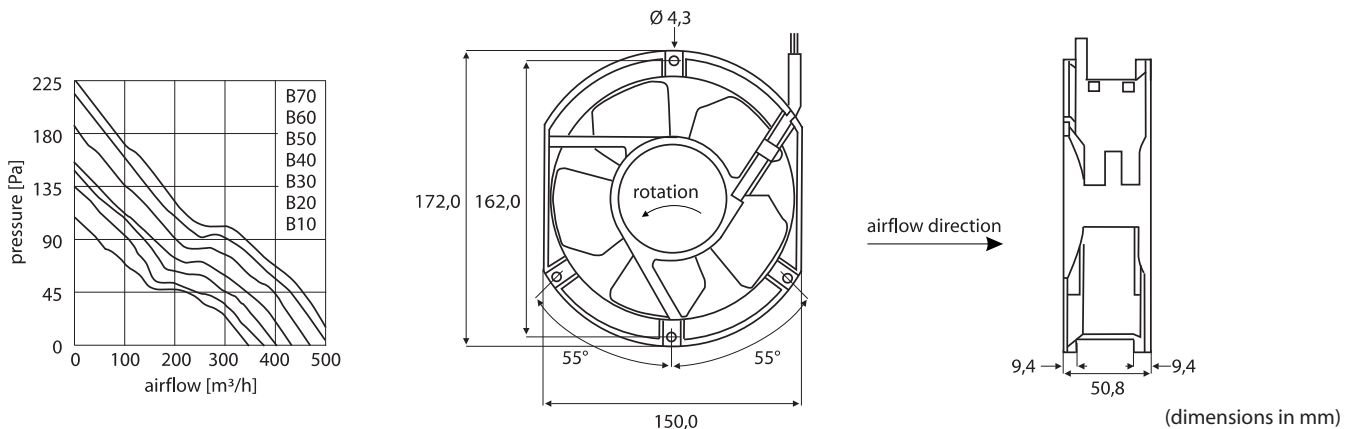
Approvals: CE, CSA LR65829 1285831, UL E89936, VDE 15073-0044

Options with additional connection

- T achometer signal - two pulses per rotation (e.g.: 5920PL-04W-B19-D50)
- Locked rotor signal - "HIGH"-signal and auto restart (e.g.: 5920PL-04W-B19-D00)

Available on request

DC fans 172 x 150 x 50 Manufacturer NMB



Type	voltage V	current mA	airflow m³/h	pressure Pa	speed rpm	noise dB _(A)	service life h L ₁₀ /25 °C
5920PL-04W-B10-D00	12 (6,0 - 18,0) *	800	306,0	93	2.550	50	190.000
5920PL-04W-B20-D00	12 (6,0 - 18,0) *	1.000	339,6	118	2.850	53	190.000
5920PL-04W-B30-D00	12 (6,0 - 18,0) *	1.150	382,2	140	3.150	55	190.000
5920PL-04W-B40-D00	12 (6,0 - 18,0) *	1.440	408,0	155	3.350	58	190.000
5920PL-04W-B50-D00 **	12 (6,0 - 18,0) *	1.600	441,6	183	3.500	60	190.000
5920PL-05W-B10-D00	24 (12,0 - 30,0) *	360	306,0	93	2.550	50	190.000
5920PL-05W-B20-D00	24 (12,0 - 30,0) *	460	339,6	118	2.850	53	190.000
5920PL-05W-B30-D00	24 (12,0 - 30,0) *	550	382,2	140	3.150	55	190.000
5920PL-05W-B40-D00	24 (12,0 - 30,0) *	660	408,0	155	3.350	58	190.000
5920PL-05W-B50-D00 **	24 (12,0 - 30,0) *	790	441,6	183	3.500	60	190.000
5920PL-05W-B60-D00	24 (12,0 - 30,0) *	880	475,8	211	3.750	63	190.000
5920PL-05W-B70-D00	24 (12,0 - 30,0) *	1.080	510,0	227	4.000	63	190.000
5920PL-07W-B10-D00	48 (25,0 - 60,0) *	180	306,0	93	2.550	50	190.000
5920PL-07W-B20-D00	48 (25,0 - 60,0) *	230	339,6	118	2.850	53	190.000
5920PL-07W-B30-D00	48 (25,0 - 60,0) *	270	382,2	140	3.150	55	190.000
5920PL-07W-B40-D00	48 (25,0 - 60,0) *	330	408,0	155	3.350	58	190.000
5920PL-07W-B50-D00	48 (25,0 - 60,0) *	400	441,6	183	3.500	60	190.000
5920PL-07W-B60-D00	48 (25,0 - 60,0) *	470	475,8	211	3.750	63	190.000
5920PL-07W-B70-D00	48 (25,0 - 60,0) *	510	510,0	227	4.000	63	190.000

* operating voltage ** available on request