

12 Volt - 24 Volt - 48 Volt

These DC fans are equipped with dual NMB precision ball-bearings for long service life and long-lasting balance.
Arbitrary mounting position.
Air exhaust over struts.
Rotation is clockwise (right) when viewed from the name plate.

Casing and impeller material is reinforced plastic according to UL 94 V-0

Protected against blocking and reverse polarity, auto restart

Connection via tinned and lead wires, UL 1007, AWG 24 (red/black), length 300 mm

Operating temperature range is -10 °C to +70 °C / -10 °C to +60 °C (B50)

Weight: 360g

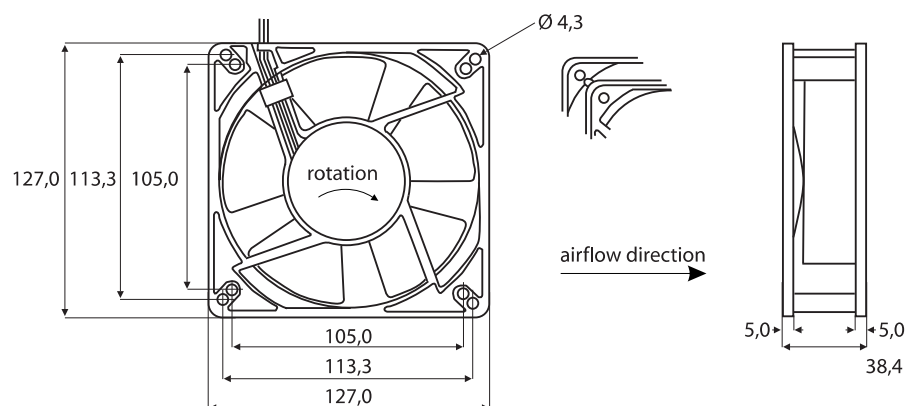
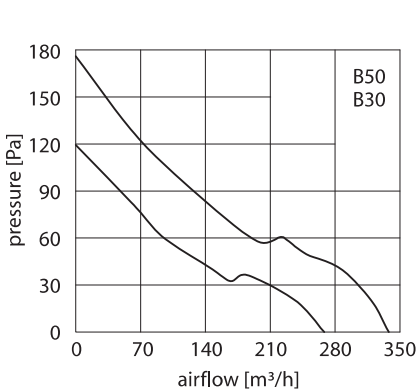
Approvals: CUL, UL E89936, VDE 15073-0024

Options with additional connection

- Tachometer signal - two pulses per rotation (e.g.: 5015KL-04W-B59-E50)
- Locked rotor signal - "HIGH"-signal and auto restart (e.g.: 5015KL-04W-B59-E00)

Available on request

DC fans 127 x 127 x 38 Manufacturer NMB



(dimensions in mm)

Type	voltage V	current mA	airflow m³/h	pressure Pa	speed rpm	noise dB _(A)	service life h L ₁₀ /25 °C
5015KL-04W-B50-E00	12 (8,0 - 13,2) *	2.040	338,4	177	4.400	61	195.000
5015KL-05W-B30-E00	24 (18,0 - 27,6) *	510	277,2	120	3.600	55	195.000
5015KL-05W-B50-E00	24 (18,0 - 26,4) *	900	338,4	177	4.400	61	195.000
5015KL-07W-B50-E00	48 (36,0 - 52,8) *	450	338,4	177	4.400	61	195.000

* operating voltage