

## 12 Volt - 24 Volt - 48 Volt

These DC fans are equipped with dual NMB precision ball-bearings for long service life and long-lasting balance.  
 Arbitrary mounting position.  
 Air exhaust over struts.  
 Rotation is clockwise (right) when viewed from the name plate.

## DC fans (aluminium case) 119 x 119 x 38 Manufacturer NMB

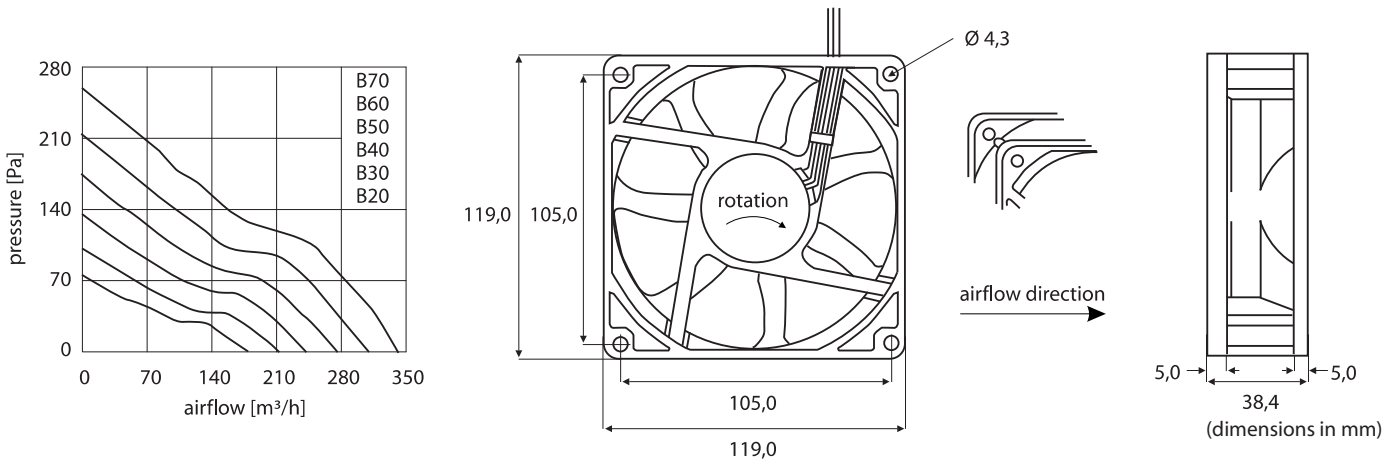
Casing material is aluminium, impeller made from reinforced plastic acc. to UL 94 V-0  
 Protected against blocking and reverse polarity, auto restart  
 Connection via tinned and lead wires, UL 1007, AWG 24 (red/black), length 300 mm  
 Operating temperature range is -10 °C to +60 °C  
 Weight: 400 g  
 Approvals: CE, CSA LR65829 1197651, UL E89936, VDE 15073-0058



### Options with additional connection

- Tachometer signal - two pulses per rotation (e.g.: 4715SL-04W-B29-D50)
- Locked rotor signal - "HIGH"-signal and auto restart (e.g.: 4715SL-04W-B29-D00)

Available on request



Type	voltage V	current mA	airflow m³/h	pressure Pa	speed rpm	noise dB <sub>(A)</sub>	service life h L <sub>10</sub> /25 °C
4715SL-04W-B20-D00	12 ( 8,0 - 13,8) *	480	174,6	76	2.700	45	195.000
4715SL-04W-B30-D00	12 ( 8,0 - 13,8) *	660	207,6	102	3.200	50	195.000
4715SL-04W-B40-D00	12 ( 8,0 - 13,8) *	1.000	241,2	136	3.700	54	195.000
4715SL-04W-B50-D00	12 ( 8,0 - 13,2) *	1.460	275,4	173	4.200	57	195.000
4715SL-04W-B60-D00	12 ( 8,0 - 12,9) *	1.920	307,8	213	4.700	60	195.000
4715SL-04W-B70-D00 **	12 ( 8,0 - 12,6) *	3.200	341,4	261	5.100	62	195.000
4715SL-05W-B20-D00	24 (15,0 - 27,6) *	260	174,6	76	2.700	45	195.000
4715SL-05W-B30-D00	24 (15,0 - 27,6) *	350	207,6	102	3.200	50	195.000
4715SL-05W-B40-D00	24 (15,0 - 27,6) *	520	241,2	136	3.700	54	195.000
4715SL-05W-B50-D00	24 (15,0 - 27,6) *	740	275,4	173	4.200	57	195.000
4715SL-05W-B60-D00	24 (15,0 - 26,4) *	930	307,8	213	4.700	60	195.000
4715SL-05W-B70-D00 **	24 (15,0 - 25,2) *	1.500	341,4	261	5.100	62	195.000
4715SL-07W-B20-D00	48 (30,0 - 55,2) *	160	174,6	76	2.700	45	195.000
4715SL-07W-B30-D00	48 (30,0 - 55,2) *	200	207,6	102	3.200	50	195.000
4715SL-07W-B40-D00	48 (30,0 - 55,2) *	270	241,2	136	3.700	54	195.000
4715SL-07W-B50-D00	48 (30,0 - 55,2) *	370	275,4	173	4.200	57	195.000
4715SL-07W-B60-D00	48 (30,0 - 52,8) *	490	307,8	213	4.700	60	195.000
4715SL-07W-B70-D00	48 (30,0 - 50,4) *	830	341,4	261	5.100	62	195.000

\* operating voltage    \*\* available on request