

12 Volt - 24 Volt - 48 Volt

These DC fans are equipped with dual NMB precision ball-bearings for long service life and long-lasting balance.
 Arbitrary mounting position.
 Air exhaust over struts.
 Rotation is clockwise (right) when viewed from the name plate.

DC fans 119 x 119 x 38 Manufacturer NMB



Casing and impeller material is reinforced plastic according to UL 94 V-0

Protected against blocking and reverse polarity, auto restart

Connection via tinned and lead wires, UL 1007, AWG 24 (red/black), length 300 mm

Operating temperature range is -10 °C to +70 °C / -10 °C to +40 °C (B50)

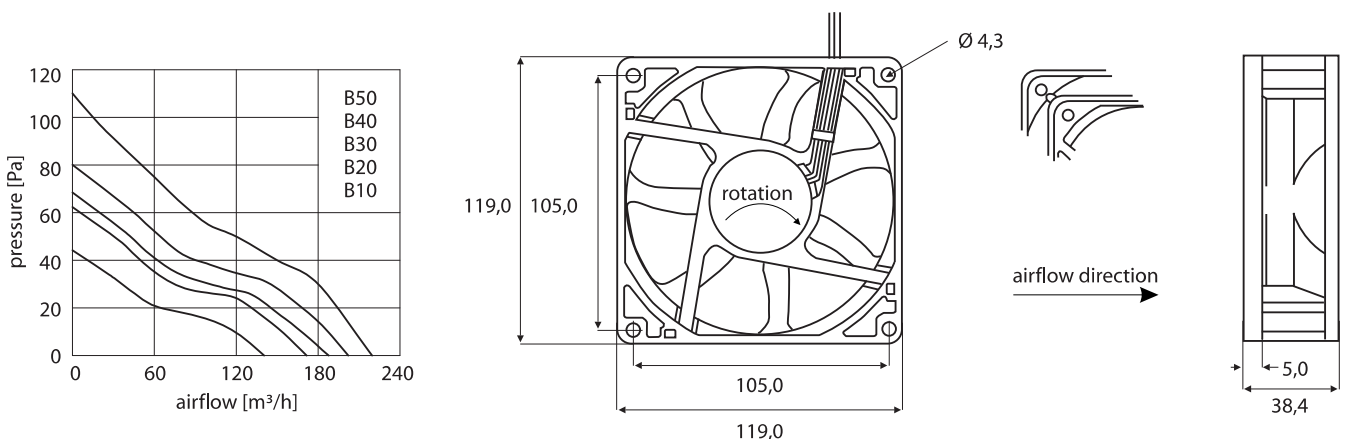
Weight: 260g

Approvals: CE, CSA LR65829 -164, UL E89935, VDE 15073-0008

Options with additional connection

- Tachometer signal - two pulses per rotation (e.g.: 4715KL-04W-B39-P50)
- Locked rotor signal - "HIGH"-signal and auto restart (e.g.:4715KL-04W-B39-P00)

Available on request



(dimensions in mm)

Type	voltage V	current mA	airflow m ³ /h	pressure Pa	speed rpm	noise dB _(A)	service life h L ₁₀ /25 °C
4715KL-04W-B10-P00	12 (6,0 - 13,8) *	270	142,2	44	2.300	37	105.000
4715KL-04W-B20-P00	12 (6,0 - 13,8) *	400	165,0	56	2.650	41	105.000
4715KL-04W-B30-P00	12 (6,0 - 13,8) *	550	184,2	68	2.950	43	105.000
4715KL-04W-B40-P00	12 (6,0 - 13,8) *	700	200,4	81	3.200	47	105.000
4715KL-04W-B50-P00	12 (9,5 - 12,6) *	1.000	220,8	110	3.600	50	105.000
4715KL-05W-B10-P00	24 (10,0 - 27,6) *	150	142,2	44	2.300	37	105.000
4715KL-05W-B20-P00	24 (10,0 - 27,6) *	210	165,0	56	2.650	41	105.000
4715KL-05W-B30-P00	24 (10,0 - 27,6) *	310	184,2	68	2.950	43	105.000
4715KL-05W-B40-P00	24 (10,0 - 27,6) *	350	200,4	81	3.200	47	105.000
4715KL-05W-B50-P00	24 (18,0 - 25,0) *	500	220,8	110	3.600	50	105.000
4715KL-07W-B10-P00	48 (25,0 - 55,2) *	80	142,2	44	2.300	37	105.000
4715KL-07W-B20-P00	48 (25,0 - 55,2) *	110	165,0	56	2.650	41	105.000
4715KL-07W-B30-P00	48 (25,0 - 55,2) *	160	184,2	68	2.950	43	105.000
4715KL-07W-B40-P00	48 (25,0 - 55,2) *	200	200,4	81	3.200	47	105.000

* operating voltage