

12 Volt - 24 Volt

These DC fans are equipped with dual NMB precision ball-bearings for long service life and long-lasting balance.
 Arbitrary mounting position.
 Air exhaust over struts.
 Rotation is clockwise (right) when viewed from the name plate.

DC fans 119 x 119 x 25 Manufacturer NMB

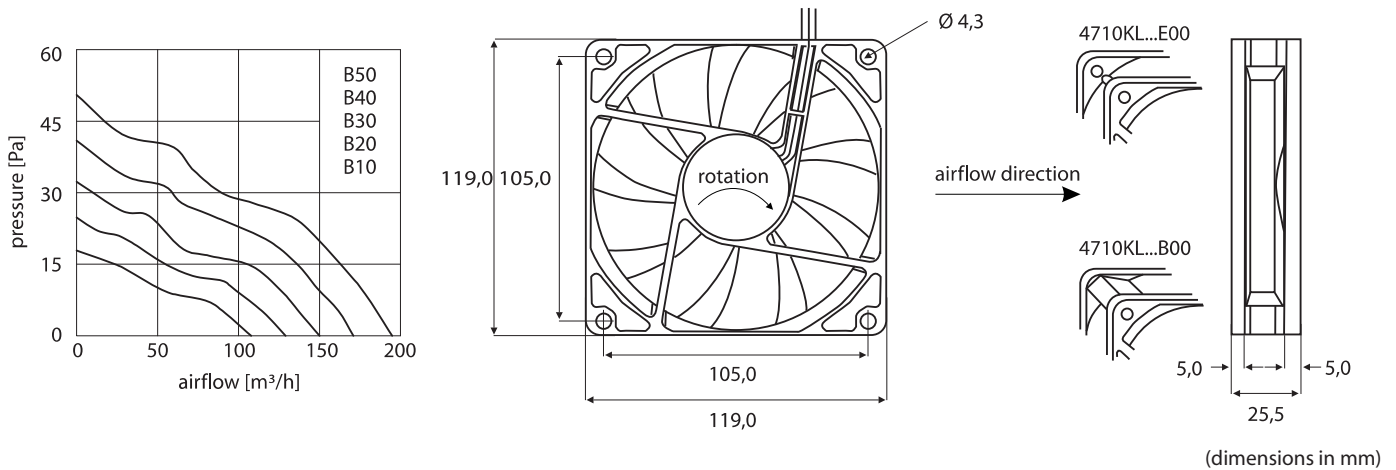
Casing and impeller material is reinforced plastic according to UL 94 V-0
 Protected against blocking and reverse polarity, auto restart
 Connection via tinned and lead wires, UL 1007, AWG 24 (red/black), length 300 mm
 Operating temperature range is -10 °C to +70 °C / -10 °C to +60 °C (B50)
 Weight: 180 g
 Approvals: CE, CSA LR65829 1174022, UL E89936, VDE 15073-0049



Options with additional connection

- Tachometer signal - two pulses per rotation (e.g.: 4710KL-04W-B39-X50)
- Locked rotor signal - "HIGH"-signal and auto restart (e.g.: 4710KL-04W-B39-X00)

Available on request



Type	voltage V	current mA	airflow m³/h	pres- sure Pa	speed rpm	noise dB _(A)	service life h L ₁₀ /25 °C
4710KL-04W-B10-xxx	12 (6,0 - 13,8) *	120	108,0	18	1.600	27	120.000
4710KL-04W-B20-xxx	12 (6,0 - 13,8) *	190	129,0	25	1.900	31	120.000
4710KL-04W-B30-xxx	12 (6,0 - 13,8) *	280	150,0	32	2.200	35	120.000
4710KL-04W-B40-xxx	12 (6,0 - 13,8) *	400	171,0	41	2.500	39	120.000
4710KL-04W-B50-xxx	12 (6,0 - 13,0) *	550	195,0	51	2.800	42	120.000
4710KL-05W-B10-xxx	24 (10,0 - 27,6) *	80	108,0	18	1.600	27	120.000
4710KL-05W-B20-xxx	24 (10,0 - 27,6) *	100	129,0	25	1.900	31	120.000
4710KL-05W-B30-xxx	24 (10,0 - 27,6) *	150	150,0	32	2.200	35	120.000
4710KL-05W-B40-xxx	24 (10,0 - 27,6) *	220	171,0	41	2.500	39	120.000
4710KL-05W-B50-xxx	24 (10,0 - 26,0) *	290	195,0	51	2.800	42	120.000

Please complete: **E00** = with flange or **B00** = with reinforced ribs

* operating voltage