

## 230 Volt / 115 Volt - 50 Hz / 60 Hz

These AC fans are equipped with dual NMB precision ball-bearings for long service life and long-lasting balance.  
Arbitrary mounting position.  
Air exhaust over struts.  
Rotation is counterclockwise (left) when viewed from the name plate.

Casing material is aluminium, impeller made from reinforced plastic according to UL 94 V-0

Shaded pole motor, impedance protected

Connection via 2 Faston connectors, 2,8 x 0,5 mm \*

Earth connection via M4 thread

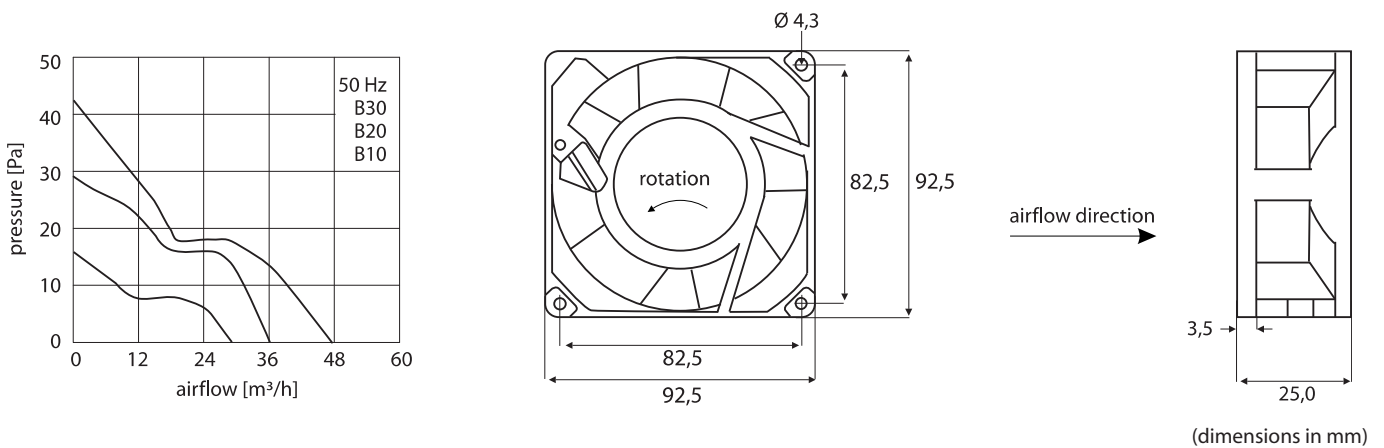
Operating temperature range is -10 °C to +70 °C

Weight: 300 g

Approvals: CCC, CE, CSA LR65829 1202307, UL E89936, VDE 15073-0006

All data refer to operation at 230 V / 50 Hz and 115 V / 60 Hz respectively

## AC fans 92 x 92 x 25 Manufacturer NMB



Type	voltage V	current mA	air flow m <sup>3</sup> /h	pressure Pa	speed rpm	noise dB <sub>(A)</sub>	service life h L <sub>10</sub> /25 °C
3610PS-12T-B10-A00	115	80	34,8	20	1.800	25	80.000
3610PS-12T-B20-A00	115	80	48,0	39	2.500	35	80.000
3610PS-12T-B30-A00	115	130	58,8	61	3.100	38	80.000
3610PS-23T-B10-A00	230	50	27,6	14	1.450	22	80.000
3610PS-23T-B20-A00	230	50	36,0	29	2.100	30	80.000
3610PS-23T-B30-A00	230	90	48,0	43	2.600	34	80.000

\* Faston connectors are standard, stripped lead wires available on request