

230 Volt / 115 Volt - 50 Hz / 60 Hz

These AC fans are equipped with dual NMB precision ball-bearings for long service life and long-lasting balance.
Arbitrary mounting position.
Air exhaust over struts.
Rotation is counterclockwise (left) when viewed from the name plate.

AC fans 80 x 80 x 38 Manufacturer NMB

Casing material is aluminium, impeller made from reinforced plastic according to UL 94 V-0

Shaded pole motor, impedance protected

Connection via tinned and lead wires, UL 3266, AWG 22, length 300 mm

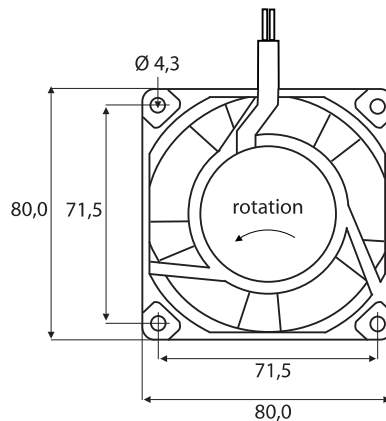
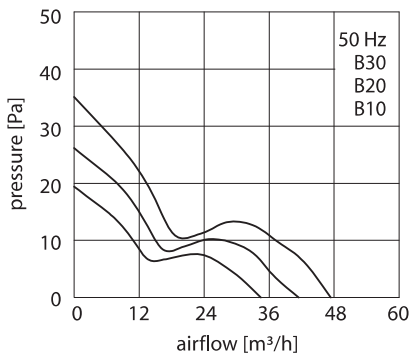
Earth connection via M4 thread

Operating temperature range is -40 °C to +70 °C

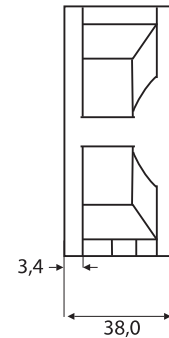
Weight: 270 g

Approvals: CCC, CE, CSA LR65829 1202307, UL E89936, VDE 15073-1001/1015

All data refer to operation at 230 V / 50 Hz and 115 V / 60 Hz respectively



airflow direction →



(dimensions in mm)

Type	voltage V	current mA	air flow m³/h	pressure Pa	speed rpm	noise dB _(A)	service life h L ₁₀ /25 °C
3115PS-12W-B10-A00	115	55	33,0	22	1.900	25	80.000
3115PS-12W-B20-A00	115	70	40,8	29	2.300	32	80.000
3115PS-12W-B30-A00	115	110	54,0	49	3.200	38	80.000
3115PS-23W-B10-A00	230	55	30,0	18	1.800	23	80.000
3115PS-23W-B20-A00	230	50	37,8	25	2.200	30	80.000
3115PS-23W-B30-A00	230	70	45,0	34	2.700	33	80.000
3115PS-23T-B30-A00 *	230	70	45,0	34	2.700	33	80.000

* With Faston connectors 2,8 x 0,5 mm ex stock (other types with Faston connectors available on request)