

230 Volt / 115 Volt - 50 Hz / 60 Hz

These AC fans are equipped with ball-bearings and have a arbitrary mounting position.
Air exhaust over struts.
Direction of rotation is counterclockwise (left) when viewed from the name plate.

Casing material is aluminium, impeller made from reinforced plastic according to UL 94 V-0

Capacitor motor protected by a thermo switch

Connection via 2 tinned flat pins 2,8 x 0,5 mm

Earth connection via M4 thread

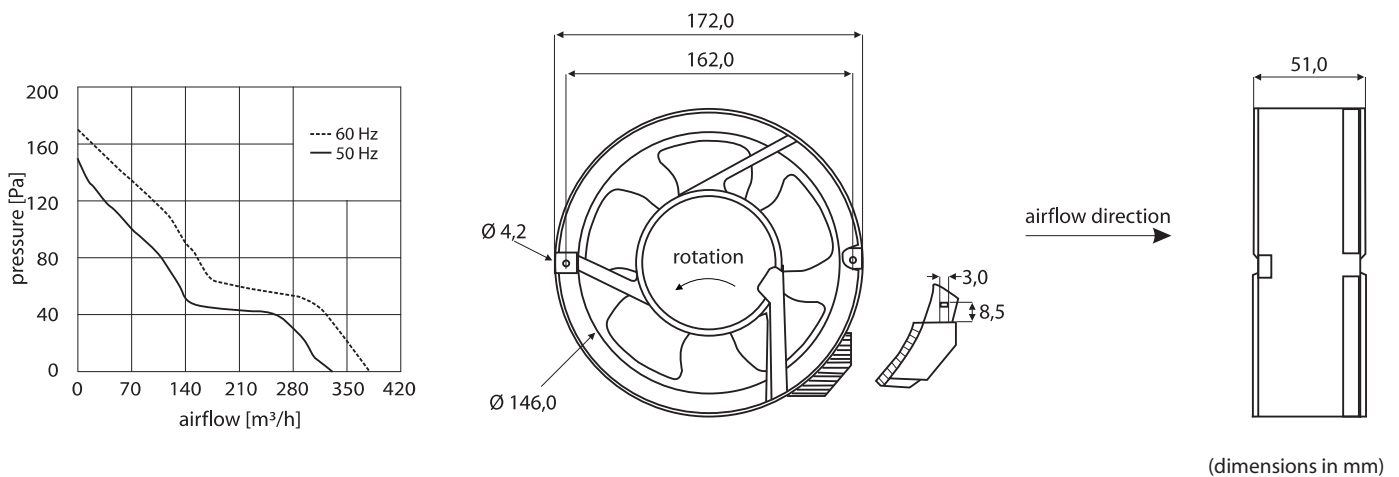
Operating temperature range is -40 °C to +70 °C

Weight: 825 g

Approvals: CE, CUL, UL, VDE

All data refer to operation at 230 V / 50 Hz and 115 V / 60 Hz respectively

AC fans 172 x 51 Manufacturer Costech



Type	voltage V	current mA	air flow m³/h	pressure Pa	speed rpm	noise dB _(A)	service life h L ₁₀ /40 °C
C18-C12-HTB-F00	115	340	380,0	170	3.300	55	40.000
C18-C23-HTB-F00	230	130	330,0	150	2.800	50	40.000