

## 230 Volt / 115 Volt - 50 Hz / 60 Hz

These AC fans are equipped with dual NMB precision ball-bearings for long service life and long-lasting balance.  
Arbitrary mounting position.  
Air exhaust over struts.  
Rotation is counterclockwise (left) when viewed from the name plate.

Casing material is aluminium, impeller made from reinforced plastic according to UL 94 V-0

Capacitor motor, impedance protected  
Type (-B30-) is protected by a thermo switch

Connection via 2 tinned flat pins 2,8 x 0,5 mm

Earth connection via M4 thread

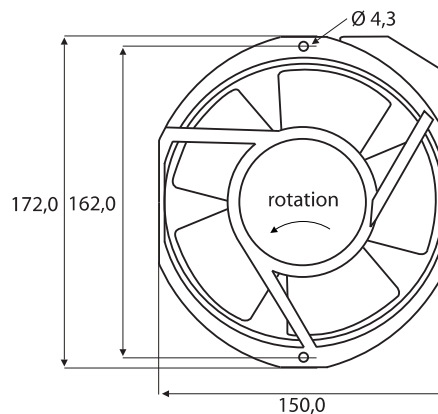
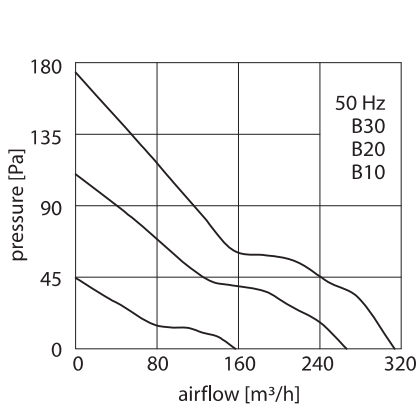
Operating temperature range is -10 °C to +70 °C

Weight: 800g

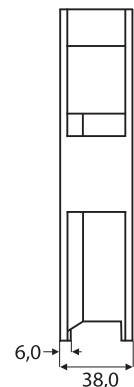
Approvals: CCC, CE, CSA LR65829 1202307, UL E89936, VDE 15073-0012

All data refer to operation at 230 V / 50 Hz and 115 V / 60 Hz respectively

## AC fans 172 x 150 x 38 Manufacturer NMB



airflow direction →



(dimensions in mm)

Type	voltage V	current mA	air flow m <sup>3</sup> /h	pressure Pa	speed rpm	noise dB <sub>(A)</sub>	service life h L <sub>10</sub> /25 °C
5915PC-12T-B10-A00	115	190	174,0	61	1.650	38	80.000
5915PC-12T-B20-A00	115	210	282,0	118	2.600	50	80.000
5915PC-12T-B30-A00	115	360	360,0	216	3.200	56	80.000
5915PC-23T-B10-A00	230	90	144,0	42	1.400	35	80.000
5915PC-23T-B20-A00	230	120	240,0	98	2.200	46	80.000
5915PC-23T-B30-A00	230	190	300,0	157	2.700	52	80.000