

230 Volt / 115 Volt - 50 Hz / 60 Hz

These AC fans are equipped with dual NMB precision ball-bearings for long service life and long-lasting balance.
 Arbitrary mounting position.
 Air exhaust over struts.
 Rotation is counterclockwise (left) when viewed from the name plate.

AC fans 119 x 119 x 38 Manufacturer NMB



Casing material is aluminium, impeller made from reinforced plastic according to UL 94 V-0

Shaded pole motor, impedance protected
 Types (-B3A-) and (-B5A-) are protected by a thermo switch

Connection via 2 Faston connectors, 2,8 x 0,5 mm *

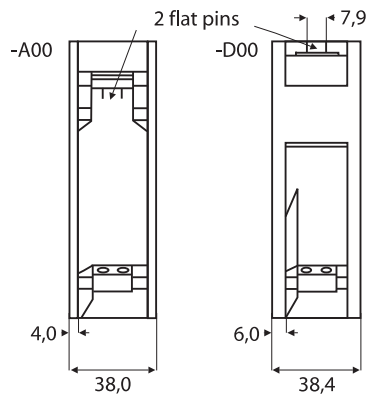
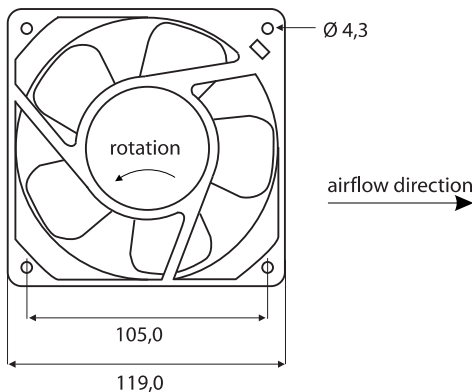
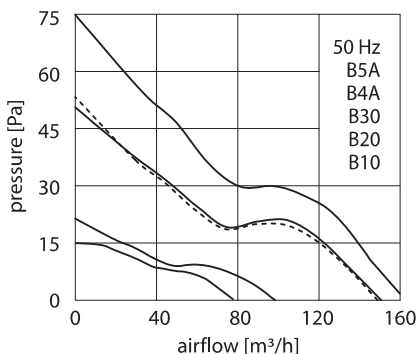
Earth connection via M4 thread

Operating temperature range is -40 °C to +70 °C / -40 °C to +60 °C (type B5A-A00)

Weight: 550 g

Approvals: CCC, CE, CSA LR65829 1358632, UL E89936, VDE 15073-0011/1003

All data refer to operation at 230 V / 50 Hz and 115 V / 60 Hz respectively



(dimensions in mm)

Type	voltage V	current mA	air flow m ³ /h	pressure Pa	speed rpm	noise dB _(A)	service life h L ₁₀ /25 °C
4715MS-12T-B10-A00	115	80	84,0	17	1.450	28	80.000
4715MS-12T-B20-A00	115	100	114,0	25	1.950	30	80.000
4715MS-12T-B30-A00	115	140	150,0	50	2.600	37	80.000
4715MS-12T-B4A-A00	115	190	162,0	65	2.750	39	80.000
4715MS-12T-B5A-A00	115	210	174,0	76	2.900	41	80.000
4715MS-23T-B10-A00	230	50	78,0	15	1.350	27	80.000
4715MS-23T-B20-A00	230	60	120,0	35	2.100	32	80.000
4715MS-23T-B30-A00	230	100	138,0	49	2.400	34	80.000
4715MS-23T-B4A-A00	230	120	144,0	54	2.450	35	80.000
4715MS-23T-B5A-A00	230	120	165,0	64	2.600	37	80.000
4715MS-23T-B5A-D00	230	120	165,0	64	2.600	37	80.000

* Faston connectors are standard, stripped lead wires available on request