

## 230 Volt - 50 Hz / 60 Hz

These AC fans are equipped with dual NMB precision ball-bearings for long service life and long-lasting balance.  
Arbitrary mounting position.  
Air exhaust over struts.  
Rotation is counterclockwise (left) when viewed from the name plate.

Casing material is aluminium, impeller made from reinforced plastic acc. to UL 94 V-0

Capacitor motor, impedance protected, protected by a thermo switch

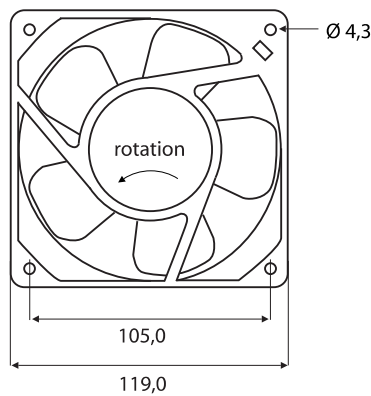
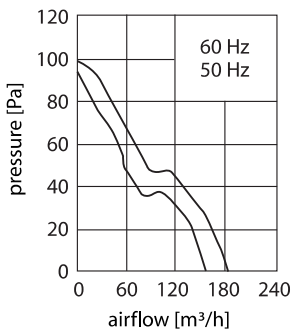
Connection via 2 tinned flat pins, 2,8 x 0,5 mm

Earth connection via M4 thread

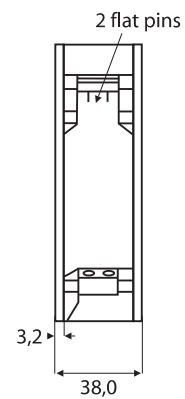
Operating temperature is -40 °C to +65 °C

Weight: 570 g

## AC fans 119 x 119 x 38 Manufacturer NMB



airflow direction →



(dimensions in mm)

Type	voltage V / Hz	current mA	airflow m³/h	pressure Pa	speed rpm <sup>-1</sup>	noise dB <sub>(A)</sub>	service life h L <sub>10</sub> /25 °C
4715HS-12T-B5A-A00	115 / 50-60	320 / 250	156 / 180	94 / 100	2.600 / 3.100	40 / 44	100.000
4715HS-23T-B5A-A00	230 / 50-60	160 / 120	156 / 180	94 / 100	2.600 / 3.100	40 / 44	100.000