

230 Volt / 115 Volt - 50 Hz / 60 Hz

These AC fans are equipped with dual NMB precision ball-bearings for long service life and long-lasting balance.
Arbitrary mounting position.
Air exhaust over struts.
Rotation is counterclockwise (left) when viewed from the name plate.

Casing material is aluminium, impeller made from reinforced plastic according to UL 94 V-0

Shaded pole motor, impedance protected
Type (-B3A-) is protected by a thermo switch

Connection via 2 Faston connectors, 2,8 x 0,5 mm *

Earth connection via M4 thread

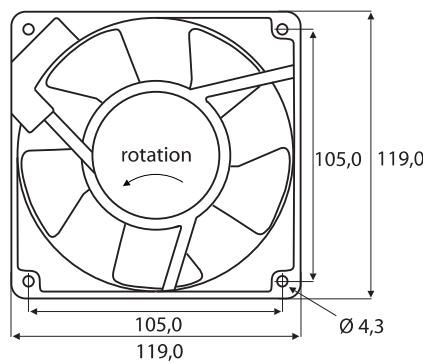
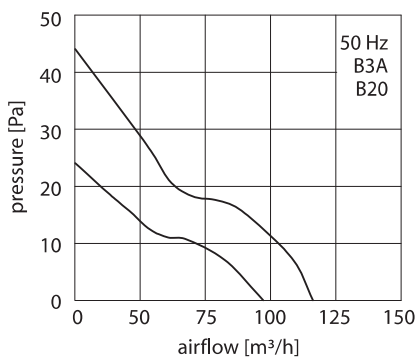
Operating temperature range is -40 °C to +70 °C / -40 °C to +60 °C (B3A)

Weight: 360 g

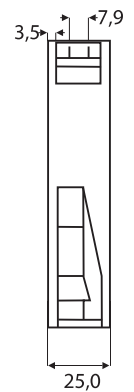
Approvals: CCC, CE, CSA LR65829 1202307, UL E89936, VDE 15073-0009

All data refer to operation at 230 V / 50 Hz and 115 V / 60 Hz respectively

AC fans 119 x 119 x 25 Manufacturer NMB



airflow direction →



(dimensions in mm)

Type	voltage V	current mA	air flow m³/h	pressure Pa	speed rpm	noise dB _(A)	service life h L ₁₀ /25 °C
4710PS-12T-B20-A00	115	90	90,0	22	2.000	30	80.000
4710PS-12T-B3A-A00	115	160	120,0	41	2.700	38	80.000
4710PS-23T-B20-A00	230	60	84,0	24	1.900	29	80.000
4710PS-23T-B3A-A00	230	100	108,0	41	2.300	34	80.000

* Faston connectors are standard, stripped lead wires available on request